

PLEASE CHECK WWW.MOLEX.COM FOR LATEST PART INFORMATION

Part Number: **0194290033**
Status: **Active**
Overview: mx150l sealed connector system
Description: MX150L™ 2 Circuit Panel Mount Plug for 14-22 AWG Wire, Rear Mount Flange Assembly, with Gasket

Documents:

[3D Model](#) [Product Specification PS-19417-001 \(PDF\)](#)
[Drawing \(PDF\)](#) [RoHS Certificate of Compliance \(PDF\)](#)

Agency Certification

UL E152602

General

Product Family Crimp Housings
 Series 19429
 Comments For Inside Panel Mount Application
 MolexKits Yes
 Overview mx150l sealed connector system
 Product Literature Order No 987650-2181
 Product Name MX150L™

Physical

Circuits (maximum) 2
 Flammability 94V-0
 Gender Male
 Glow-Wire Compliant No
 Lock to Mating Part Yes
 Number of Rows 1
 Packaging Type Bag
 Panel Mount Yes
 Pitch - Mating Interface (in) 0.230 In
 Pitch - Mating Interface (mm) 5.84 mm
 Polarized to Mating Part Yes
 Stackable No
 Temperature Range - Operating -40°C to +125°C

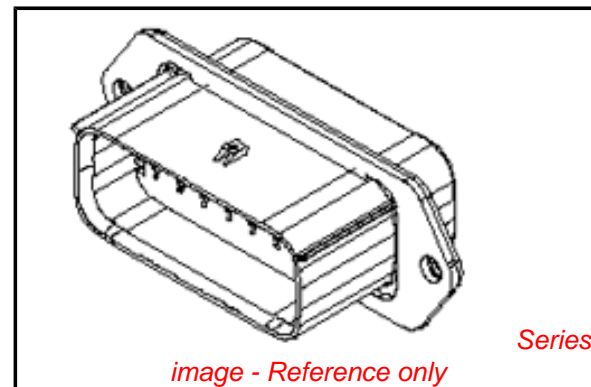
Electrical

Current - Maximum per Contact 18A

Material Info

Reference - Drawing Numbers

Packaging Specification PK-19429-001
 Product Specification PS-19417-001
 Sales Drawing SD-19429-001



EU RoHS

**ELV and RoHS
Compliant**
REACH SVHC
 Not Reviewed
**Halogen-Free
Status**
Not Reviewed

China RoHS



**Need more information on product
environmental compliance?**

Email productcompliance@molex.com
 For a multiple part number RoHS Certificate of Compliance, [click here](#)

Please visit the [Contact Us](#) section for any non-product compliance questions.

Search Parts in this Series

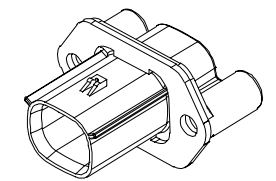
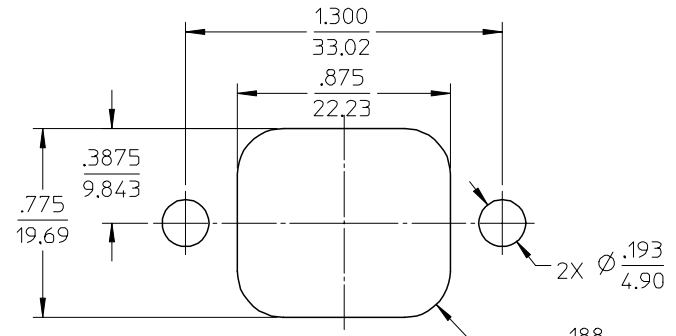
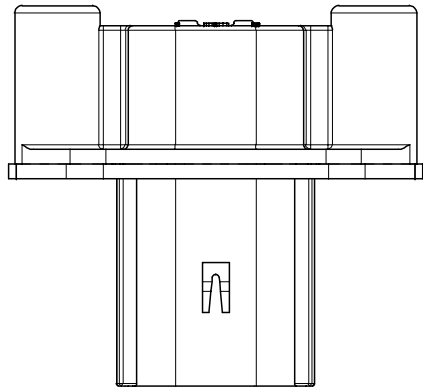
[19429Series](#)

Mates With

[19418 Receptacle Assemblies](#)

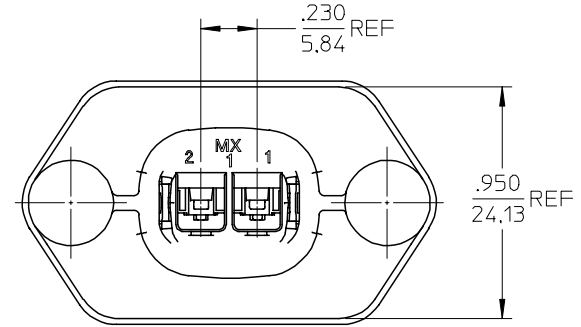
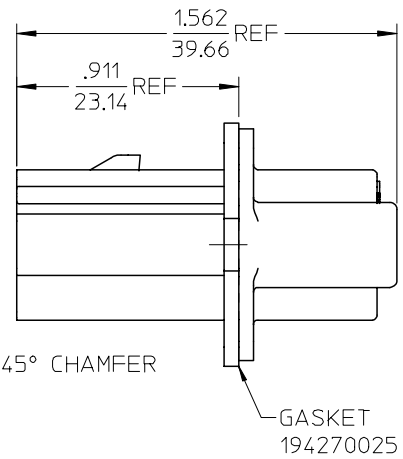
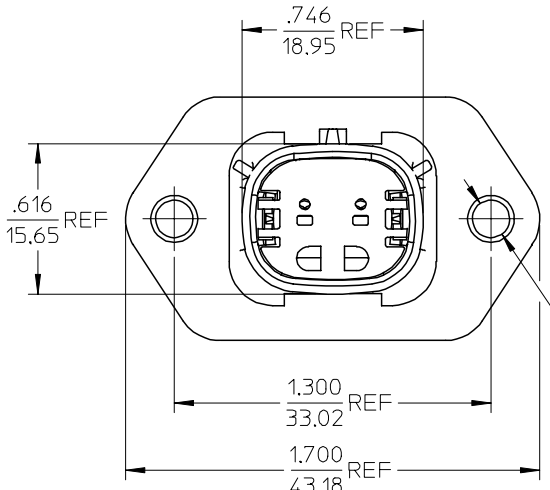
Use With

[19417 Male Crimp Terminals](#)



SCALE 1:1

RECOMMENDED PANEL MOUNT OPENING
MAX PANEL THK .080/2.03



- NOTES:
1. ASSEMBLY BULK PACKAGED PER PK-19429-001.
 2. USE CONNECTOR WITH MALE CRIMP TERMINAL: SERIES 19417.
 3. RECOMMENDED MOUNTING HARDWARE: (2)#10 X .62/18.9 LONG PLASTIC THREAD CUTTING SCREWS. SUGGESTED SOURCE: ITW SHAKEPROOF INDUSTRIAL BOSSCREW OR EQUIVALENT. RECOMMENDED TORQUE: 15-17 IN-LBS.

EC NO: ETC2005-0118	DRWN:BRUPERT 2005/01/20	CHKD:JPALICK 2005/01/20	APPR:RDEROSS 2005/01/20
REV	DESCRIPTION		
A	REVISION		

QUALITY SYMBOLS	GENERAL TOLERANCES (UNLESS SPECIFIED)	
	mm	INCH
▽ = 0	4 PLACES ± .005	± .005
	3 PLACES ± .005	± .015
	2 PLACES ± 0.38	± .005
	1 PLACE ± .005	± .005
∇ = 0	ANGULAR ± 1 °	
	DRAFT WHERE APPLICABLE	
	MUST REMAIN WITHIN DIMENSIONS	

SCALE 2:1	DESIGN UNITS INCH
DIMENSION STYLE IN/MM	
DRAWN BY DMYRICK	DATE 03/10/30
CHECKED BY JPALICK	DATE 03/10/30
APPROVED BY RDEROSS	DATE 03/10/30

194290033	YES
194290005	NO
MATERIAL NUMBER	GASKET
THIRD ANGLE PROJECTION	REVISE ON CAD ONLY
TITLE 2 WAY PLUG PANEL MOUNT ASSEMBLY 22-14 AWG	
MOLEX MOLEX INCORPORATED	
MATERIAL NO. SEE CHART	DOCUMENT NO. SD-19429-001
SHEET NO. 1 OF 1	
THIS DRAWING CONTAINS INFORMATION THAT IS PROPRIETARY TO MOLEX INCORPORATED AND SHOULD NOT BE USED WITHOUT WRITTEN PERMISSION	